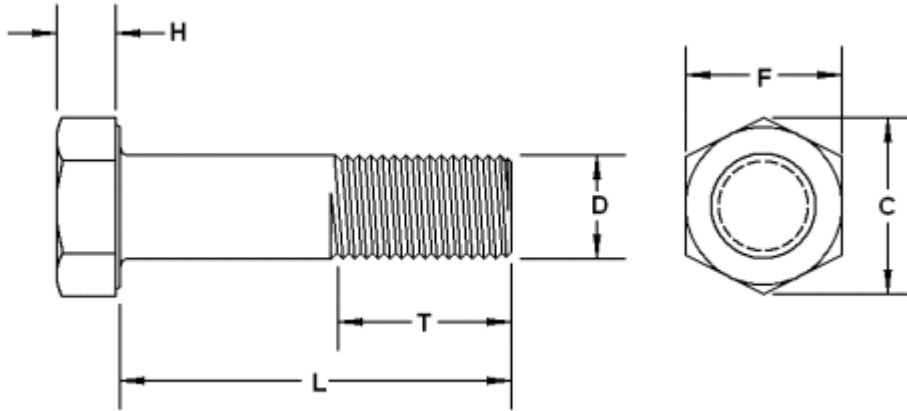


Heavy Hex Bolts

Grade 2



SAE Grade 2, ASTM A307B

Plain = HHC020-----

Zinc = HHC020-----Z1

Bolt Diameter	D	F			C		H	Weight
	Body Diameter	Width Across Flats			Width Across Corners		Height	Rough Estimate
	Max	Basic	Max	Min	Per Each	Min	Basic	Per Each
1/2	0.515	7/8	0.875	0.850	1.010	0.969	11/32	.044 + .055 x inch
5/8	0.642	1-1/16	1.062	1.031	1.227	1.175	27/64	.079 + .084 x inch
3/4	0.768	1-1/4	1.250	1.212	1.443	1.383	1/2	.136 + .125 x inch
7/8	0.895	1-7/16	1.438	1.394	1.660	1.589	37/64	.226 + .180 x inch
1	1.022	1-5/8	1.625	1.575	1.876	1.796	43/64	.348 + .230 x inch
1-1/8	1.149	1-13/16	1.812	1.756	2.093	2.002	3/4	.430 + .280 x inch
1-1/4	1.277	2	2.00	1.938	2.309	2.209	27/32	.615 + .345 x inch
1-3/8	1.404	2-3/16	2.188	2.119	2.526	2.416	29/32	.740 + .420 x inch
1-1/2	1.531	2-3/8	2.375	2.300	2.742	2.622	1	1.00 + .500 x inch
1-3/4	1.785	2-3/4	2.750	2.662	3.175	3.035	1-5/32	1.38 + .700 x inch
2	2.039	3-1/8	3.125	3.025	3.608	3.449	1-11/32	2.20 + .890 x inch
2-1/4	2.305	3-1/2	3.500	3.388	4.041	3.862	1-1/2	
2-1/2	2.559	3-7/8	3.875	3.750	4.474	4.275	1-21/32	

Dimensional specifications per ASME B18.2.1

STANDARD THREAD LENGTH

Bolt lengths ≤ 6":
Bolt lengths > 6":

Thread length = (2 X diameter) + 1/4"
Thread length = (2 X diameter) + 1/2"